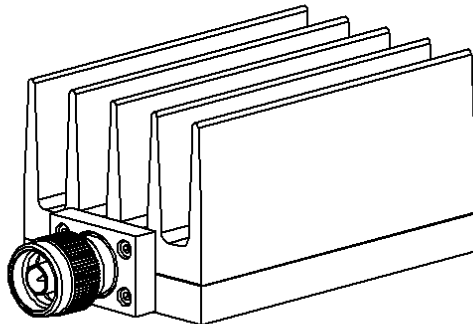
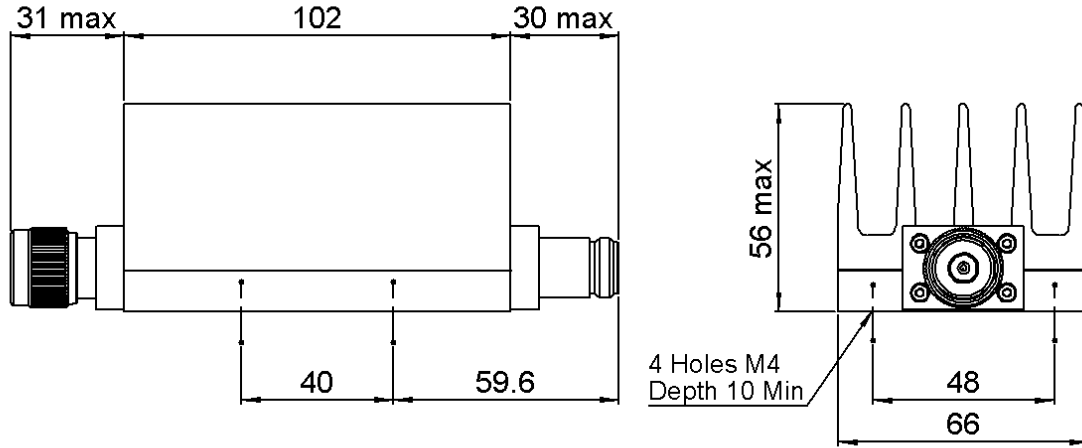


**N ATTENUATOR**  
**10 DB 2 GHZ 50/80W**

**R417.710.128**  
Series : ATTENUATOR



All dimensions are in mm.



| COMPONENTS            | MATERIALS        | PLATING(μm)            |
|-----------------------|------------------|------------------------|
| BODY                  | STAINLESS STEEL  | PASSIVATED             |
| MALE CENTER CONTACT   | BERYLLIUM COPPER | GOLD 2.5 OVER NICKEL 1 |
| FEMALE CENTER CONTACT | BERYLLIUM COPPER | GOLD 2.5 OVER NICKEL 1 |
| OUTER CONTACT         |                  |                        |
| INSULATOR             | PTFE             |                        |
| GASKET                | SILICONE RUBBER  |                        |
| SUBSTRATE             | ALUMINA          |                        |
| RESISTOR              | THICK FILM       |                        |
| OTHERS PARTS          | ALUMINIUM        | BLACK PAINTING         |

Issue : 0843 A

In the effort to improve our products, we reserve the right to make changes judged to be necessary.



**N ATTENUATOR**  
**10 DB 2 GHZ 50/80W**

**R417.710.128**  
Series : ATTENUATOR

**ELECTRICAL CHARACTERISTICS**

|                 |        |       |
|-----------------|--------|-------|
| Frequency (GHz) | DC - 1 | 1 - 2 |
| V.S.W.R (≤)     | 1.10   | 1.25  |
| Deviation(±dB)  | 1      | 1     |

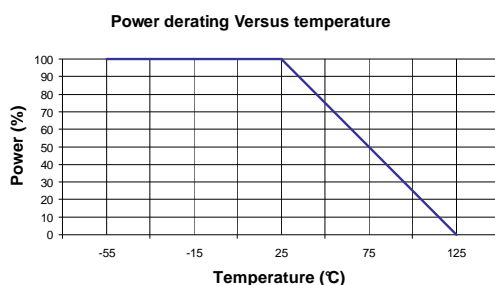
|   |        |                       |
|---|--------|-----------------------|
| Operating Frequency Range   | DC - 2 | GHz                   |
| Impedance   | 50     | Ω                     |
| Nominal Attenuation   | 10     | dB                    |
| Peak power at 25°C (1μs, 1%)  | 5000   | W                     |
| Average power at 25°C   | 50     | W (Free Air Cooled)   |
|   | 80     | W (Conduction Cooled) |
| For conduction cooling, a plate 1000 cm <sup>2</sup> x 3 mm(156 sq.in*1/8) min. is required |        |                       |

**MECHANICAL CHARACTERISTICS**

|            |            |             |             |
|------------|------------|-------------|-------------|
| Connectors | N          | Male Female | MIL-C 39012 |
| Weight     | 621,7900 g |             |             |

**ENVIRONMENTAL CHARACTERISTICS**

|                             |              |
|-----------------------------|--------------|
| Operating temperature range | -55 /+125 °C |
| Storage temperature range   | -55 /+125 °C |



**SPECIFICATION**

**OTHER CHARACTERISTICS**

Issue : 0843 A

In the effort to improve our products, we reserve the right to make changes judged to be necessary.

